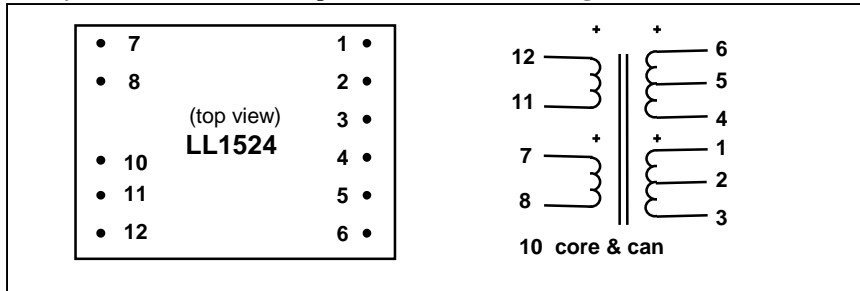


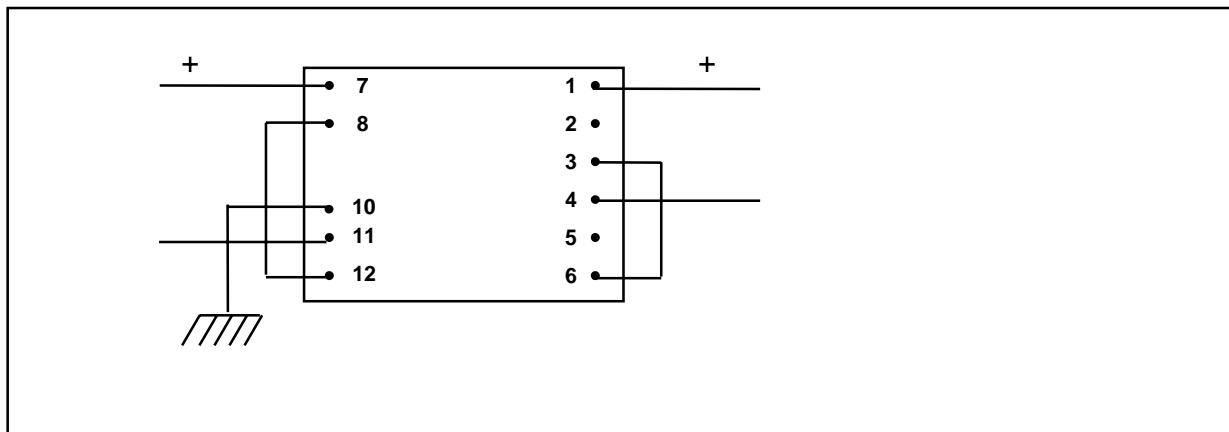
Audio Output Transformer LL1524

LL1524 is an audio output transformer for balanced drive. The LL1524 is a 5-section output transformer. This results in a very low leakage inductance and thus excellent HF characteristics. The LL1524 is (like all C-core audio output transformers) ideally used with negative source impedance achieved using mixed feedback drive circuits. See separate paper for mixed feedback design principles.

Turns ratio: 1 + 1 : 1 + 1
Dims (Length x Width x Height above PCB (mm)): 48 x 34 x 22
Pin layout (viewed from component side) and winding schematics:



Spacing between pins:	5.08 mm (0.2")
Spacing between rows of pins:	35.56 mm (1.4")
Weight:	125 g
Core:	Audio C-core
Housing:	Mu-metal
Rec. PCB hole diameter:	1.5 mm
Static resistance of each primary:	7.3 Ω
Static resistance of each secondary:	7.5 Ω
Leakage inductance of secondaries (sec. in series):	0.1 mH
No-load impedance:	>1kΩ @ 50 Hz, +20 dBU
Optimum source impedance:	Minus 14 Ω (mixed feedback)
Balance of output (according to IRT, source < 10 Ω , Load 600 Ω):	> 45 dB
Maximum output level before saturation (sec. in series, load 600 Ω)	+ 24 dBU @ 30 Hz
Distortion (achieved with mixed feedback drive circuit, load 600 Ω)	< 0.04 % @ 20 dBU, 30Hz
Frequency response (source 0 Ω , load 600 Ω):	5 Hz -- 100 kHz +/- 0.5 dB
Loss across transformer (at midband with 600 Ω load):	0.5 dB
Isolation between primary and secondary windings / between windings and core:	4 kV / 2 kV



Please refer to separate paper for balanced, mixed feedback drive circuitry.