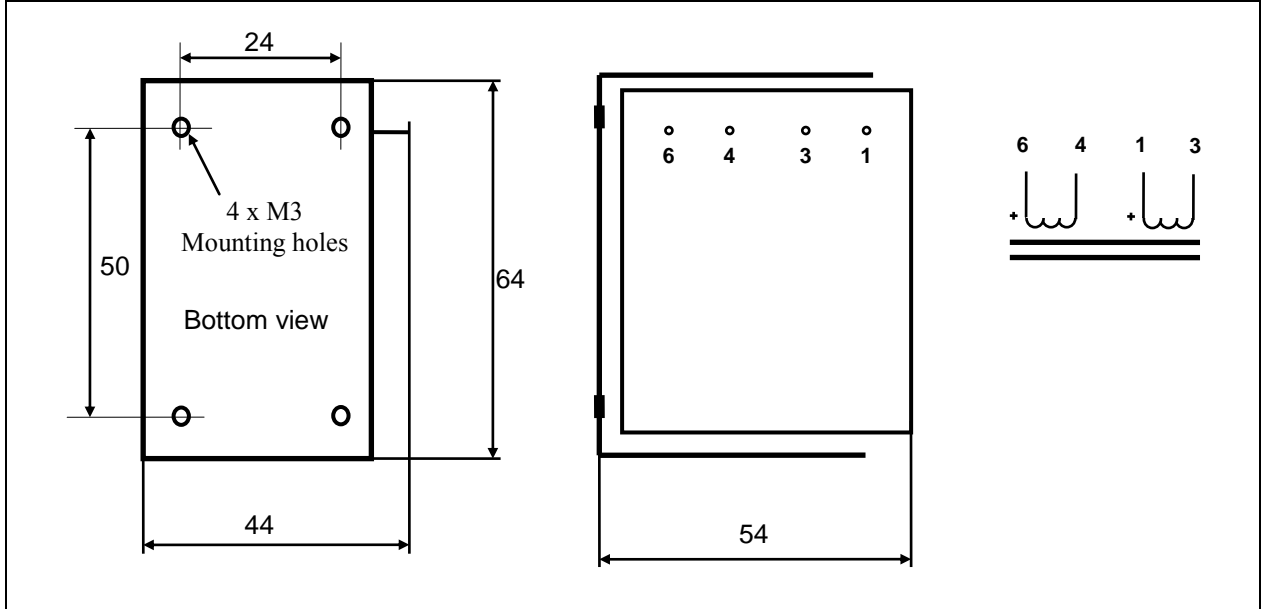


Filament Current Choke LL2751

The LL2751 is a small size two-coil choke for tube/valve filament current filtering. The coil is wound using our standard high internal isolation technique with isolation foil between each copper layer. The core is an audio C-core of our own production.

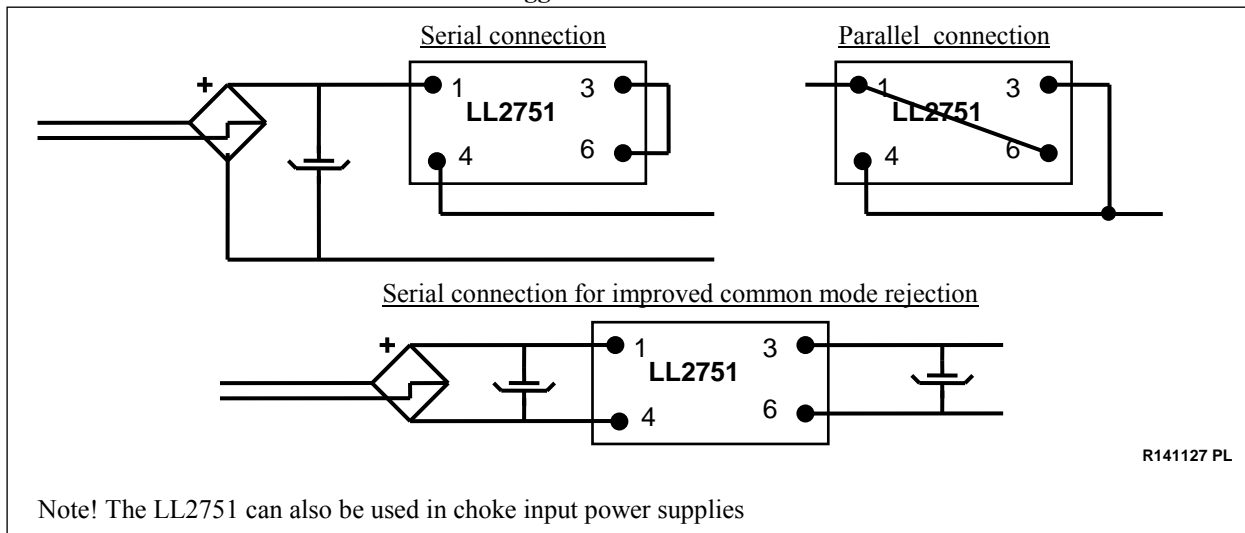
Winding schematics, physical dimensions, pin and mounting hole layout (all dimensions in mm)



Weight: 0.44 kg
 Static resistance of each winding: 0.5 Ω
 Isolation between windings / between windings and core: 4 kV / 2 kV

| Type | Coils in series | | | Coils in parallel | | |
|---|--------------------|---------------------------------|----------------------------|--------------------|---------------------------------|----------------------------|
| | Approx. Inductance | Recommended DC current (1.25 T) | Saturating current (2.0 T) | Approx. Inductance | Recommended DC current (1.25 T) | Saturating current (2.0 T) |
| LL2751 / 0.6A | 0.18 H | 0.6 A | 1 A | 45 mH | 1.2 A | 2 A |
| Max. ripple voltage at rec. DC current (Ripple voltage is approx. 0.42 x input voltage) | 30 V rms / 100 Hz | | | 15 V rms / 100 Hz | | |

Suggested connections:



R141127 PL

Note! The LL2751 can also be used in choke input power supplies