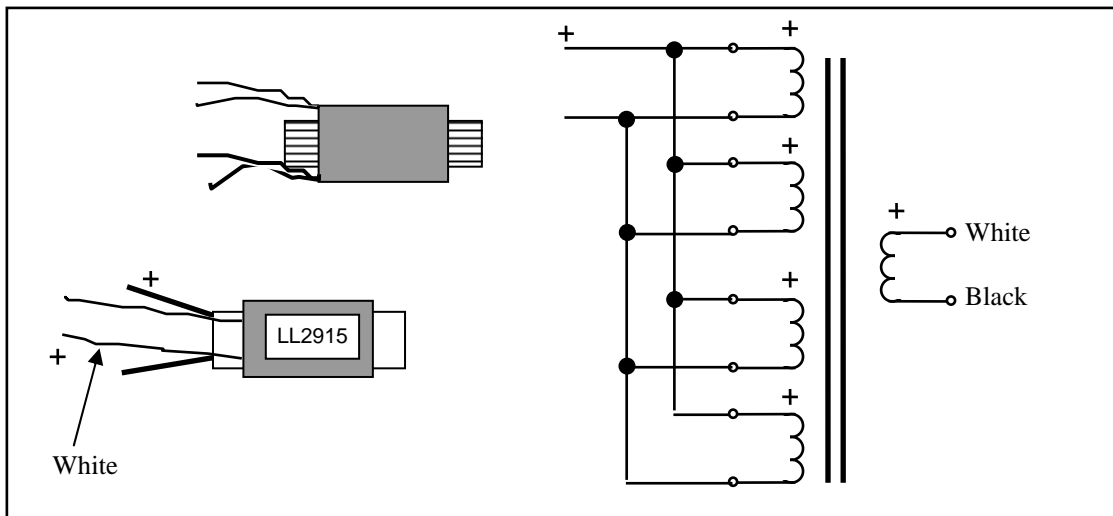


## Ribbon Microphone Transformer LL2915

LL2915 is a flying lead version of microphone ribbon transformer LL2914. Core is a classic mu metal lamination core. The two coils each have three winding sections and is combined for best magnetic noise immunity.

<b>Turns ratio:</b>		1 : 37
<b>Dimensions:</b>	Length [leads not included]	36mm
	Max diameter	22 mm

### Layout and Windings Schematics:



<b>Weight:</b>	34 g
<b>Core:</b>	Mu metal lamination core
<b>Static resistance of primary:</b>	0.05 $\Omega$
<b>Static resistance of secondary:</b>	69 $\Omega$